



MC

The MC models of the M Series come in a 90° worksurface with the option of 2 floor base designs. This height adjustable table is a perfect fit for a corner or a pod layout, which combines 3-4 tables. Available with multiple weight capacities and worksurface sizes, the variety of color combinations make designing an MC table a unique & creative experience.

Height Range: 27.6" - 44.1"*

Frame Only Weight Capacity: 15 - 105 Lbs**

Worksurface Angle: 90°

Adjustability: Constant Force

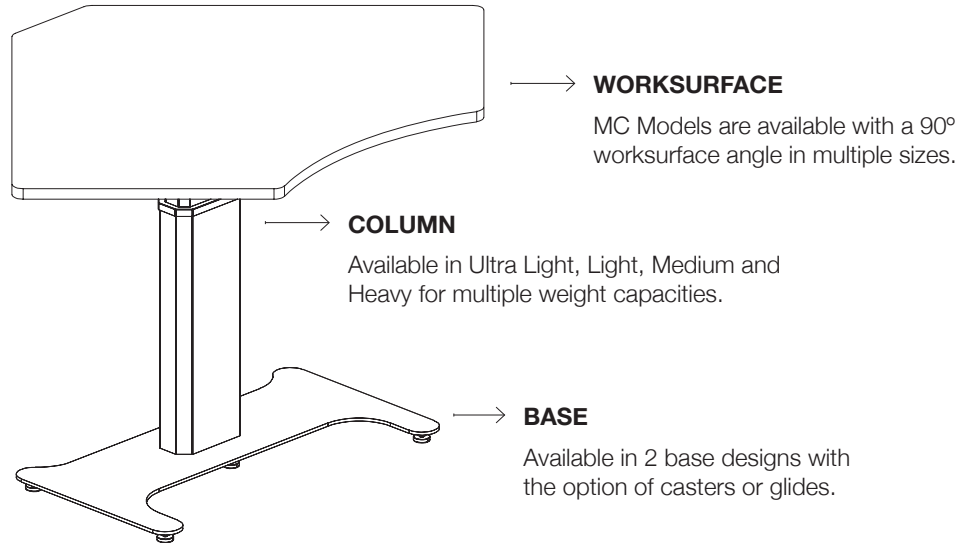
Parts Warranty: 10 years

Craftsmanship Warranty: Lifetime

Special Feature: Safety brake with integrated locking mechanism

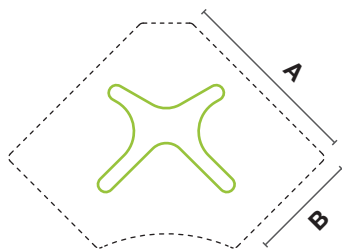
**Including 1½" worksurface.*

***Varies based on column weight capacity*

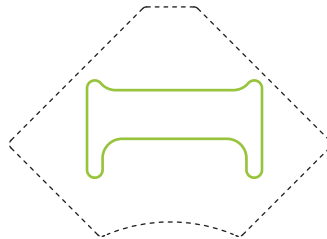


MODEL & FLOOR BASE SELECTION

Choose your dimensions and and floor base design.



LC Large Clover



H Organic H

A Range = 36" - 48"
B Range = 24"

Please speak with your Sales Rep for additional worksurface dimensions and specifications.

WORKSURFACE AVERAGE TASK LOAD

Select all that apply.



5-7 LBS



5-10 LBS



12-15 LBS



18-20 LBS

FRAME FINISHES

Custom finishes require testing & longer lead times.



S Silver



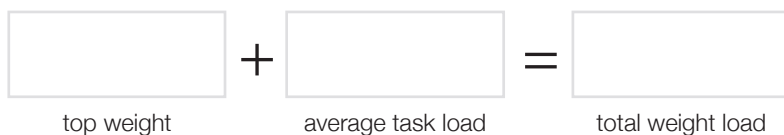
B Black



W White

COLUMN SELECTION

Top weight is determined by size of worksurface. See price chart.



WEIGHT LOAD

15 - 34 Lbs
35 - 60 Lbs
61 - 80 Lbs
81 - 105 Lbs

COLUMN OPTION

UL Light
L Light
M Medium
H Heavy Duty

