



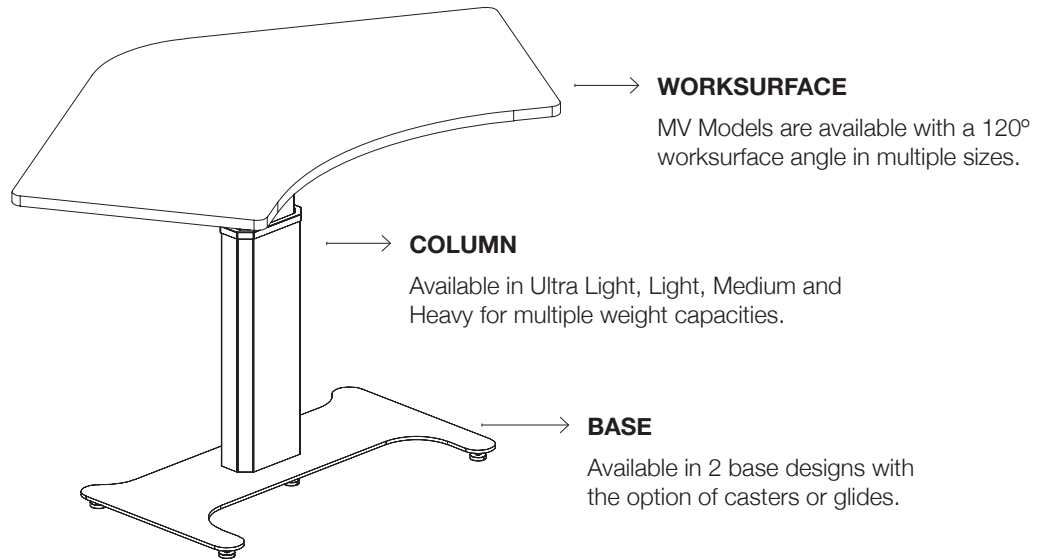
## MV

The MV models of the M Series come in a 120° worksurface with the option of 2 floor base designs. This height adjustable table is a perfect fit for a corner or a pod layout, which combines 3-4 tables. Available with multiple weight capacities and worksurface sizes, the variety of color combinations make designing an MV table a unique & creative experience.

**Height Range:** 27.6" - 44.1"\*  
**Frame Only Weight Capacity:** 15 - 105 Lbs\*\*  
**Worksurface Angle:** 120°  
**Adjustability:** Constant Force  
**Parts Warranty:** 10 years  
**Craftsmanship Warranty:** Lifetime  
**Special Feature:** Safety brake with integrated locking mechanism

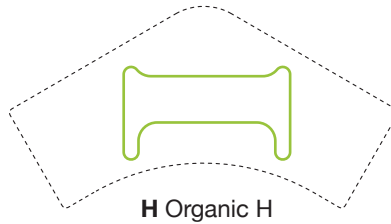
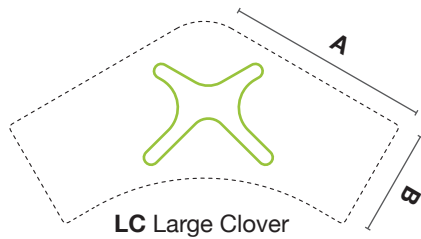
*\*Including 1½" worksurface.*

*\*\*Varies based on column weight capacity*



### MODEL & FLOOR BASE SELECTION

Choose your dimensions and and floor base design.



**A** Range = 36" - 42"    **B** Range = 24"

*Please speak with your Sales Rep for additional worksurface dimensions and specifications.*

### WORKSURFACE AVERAGE TASK LOAD

Select all that apply.



5-7 LBS



5-10 LBS



12-15 LBS



18-20 LBS

### FRAME FINISHES

Custom finishes require testing & longer lead times.



**S** Silver



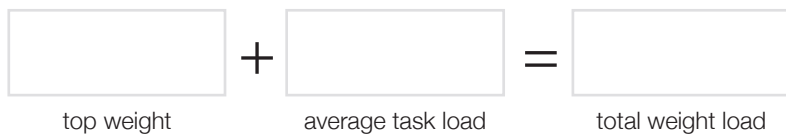
**B** Black



**W** White

### COLUMN SELECTION

Top weight is determined by size of worksurface. See price chart.



### WEIGHT LOAD

15 - 34 Lbs  
35 - 60 Lbs  
61 - 80 Lbs  
81 - 105 Lbs

### COLUMN OPTION

**UL** Light  
**L** Light  
**M** Medium  
**H** Heavy Duty

