



SE3

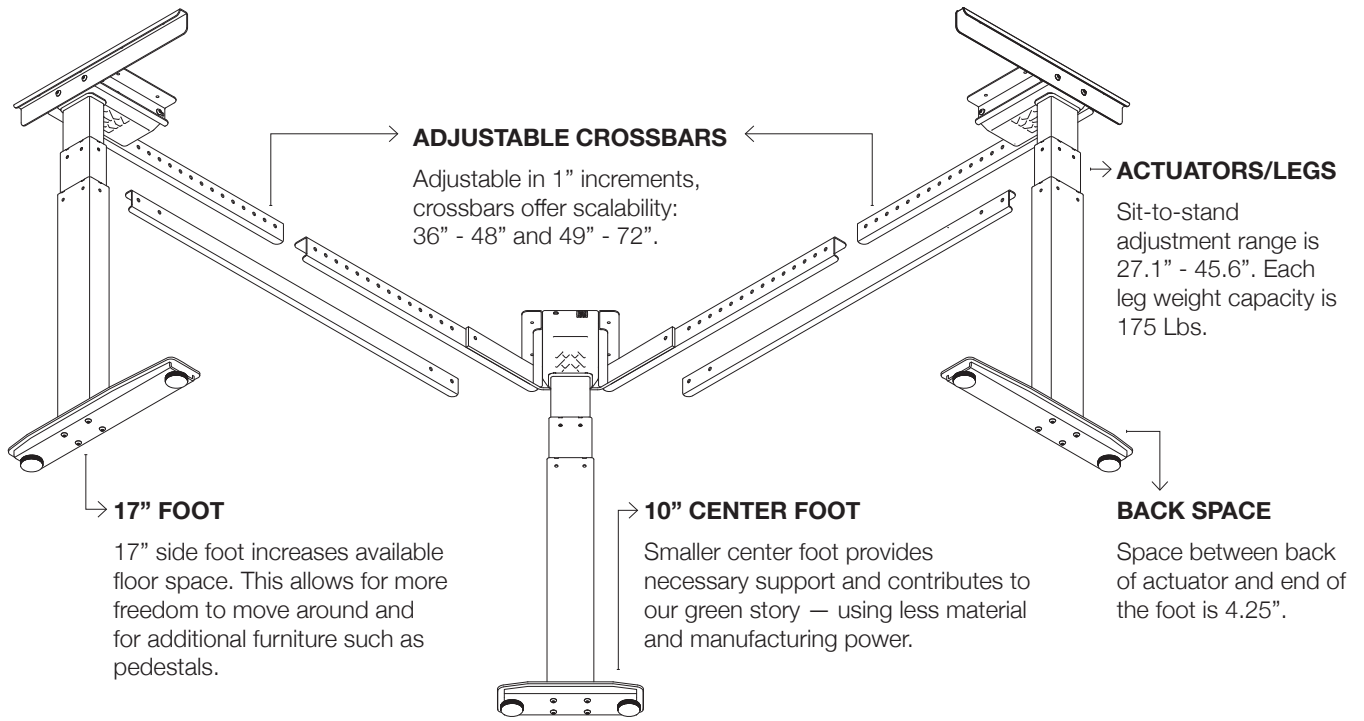
The SE3 offers a smaller height range in comparison to the SX3 but offers the same weight capacity and visual configurations. Offering unlimited potential in office planning, our SE3 offers comfort, flexibility, and an ergonomic solution for your work environment. The SE3 can be paired with SiS accessories such as wire management, casters, and monitor mounts. A wide variety of top selections such as powder-coat and laminate are available — for a truly complete solution.

Height Range: 27.1" - 45.6"*
Speed: 1.5" Per Second
Frame Only Weight Capacity: 525 Lbs
Max Power Draw: 120 V, 60 Hz, 5 A
Standby Power: 0.1W
Worksurface Angle: 90°
Adjustability: Electric Control
Special Features: Soft Stop
Motor & Parts Warranty: 5 years
Craftsmanship Warranty: Lifetime

**Including 1 1/8" worksurface.*



RECYCLABLE



SWITCH OPTIONS



UD Up Down



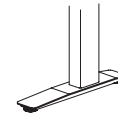
DS Digital Switch



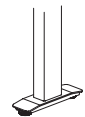
PH Personal Health Assistant Tracker

*Standard Up/Down switch included.
Additional charge for Digital and Health Tracker.*

FOOT SIZES



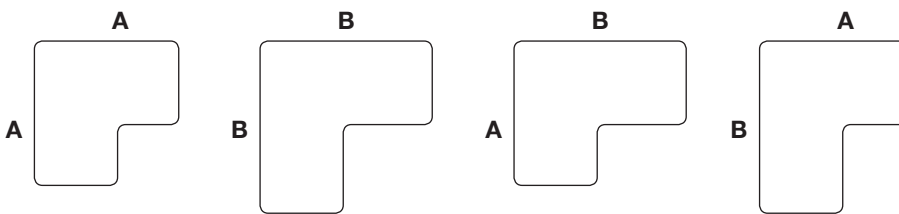
17" S



10" C

Additional foot lengths available.

CROSSBARS & SURFACES



A Crossbar = 36" - 48" **B** Crossbar = 49" - 72" **F** Crossbar = Additional Sizes

Please speak with your Sales Rep for additional worksurface dimensions and specifications.

OPTIONAL FEATURES

- Standard Collision Software
- Factory Programmable
- Lockout
- Lithium Battery Operation
- QuantSpaces Compatible*
- Available as Frame Only

**tableair.com*

FRAME FINISHES



Custom finishes require testing & longer lead times.



S
Silver



B
Black



W
White

