



SEV2

The SEV2 shines on the Danish design principles of functionality and simplicity. The SEV2 offers a smaller height range in comparison to the SXV2 but offers the same weight capacity and visual configurations. Offering a multitude of color combinations, finishes and surface sizes, the SEV2 is a customizable and unique solution. This electric sit-to-stand table comes in a 2-leg configuration and can be paired with SiS accessories such as wire management, casters, and monitor mounts. A wide variety of top selections such as powder-coat and laminate are available — for a truly complete solution.

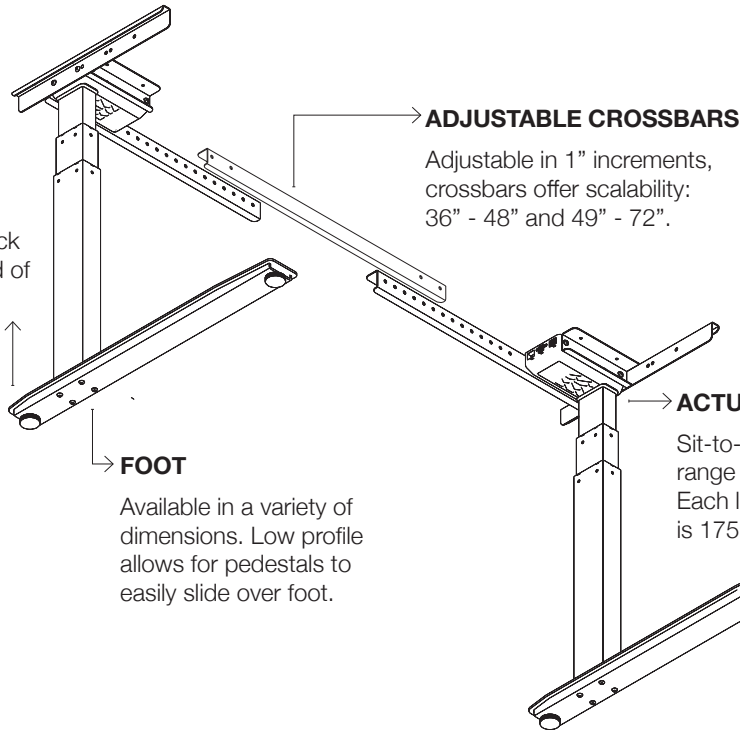
Height Range: 27.1" - 45.6"*
Speed: 1.5" Per Second
Frame Only Weight Capacity: 350 Lbs
Max Power Draw: 120 V, 60 Hz, 5 A
Standby Power: 0.1W
Worksurface Angle: 120°
Adjustability: Electric Control
Special Features: Soft Stop
Motor & Parts Warranty: 5 years
Craftsmanship Warranty: Lifetime

**Including 1 1/8" worksurface.*



BACK SPACE

Space between back of actuator and end of the foot is 4.25".



SWITCH OPTIONS



UD Up Down



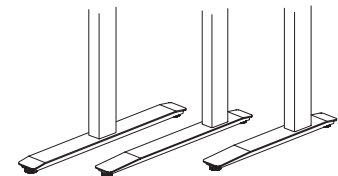
DS Digital Switch



PH Personal Health Assistant Tracker

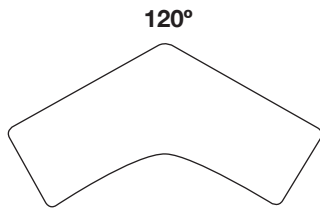
*Standard Up/Down switch included.
Additional charge for Digital and Health Tracker.*

FOOT SIZES



28" T **28" L** **22" M**

CROSSBARS & SURFACES



A Crossbar = 36" - 48" **B** Crossbar = 49" - 72" **F** Crossbar = Additional Sizes

Please speak with your Sales Rep for additional worksurface dimensions and specifications.

OPTIONAL FEATURES

- Standard Collision Software
- Factory Programmable
- Lockout
- Lithium Battery Operation
- QuantSpaces Compatible*
- Available as Frame Only

**tableair.com*

FRAME FINISHES



Custom finishes require testing & longer lead times.



S Silver **B** Black **W** White

