



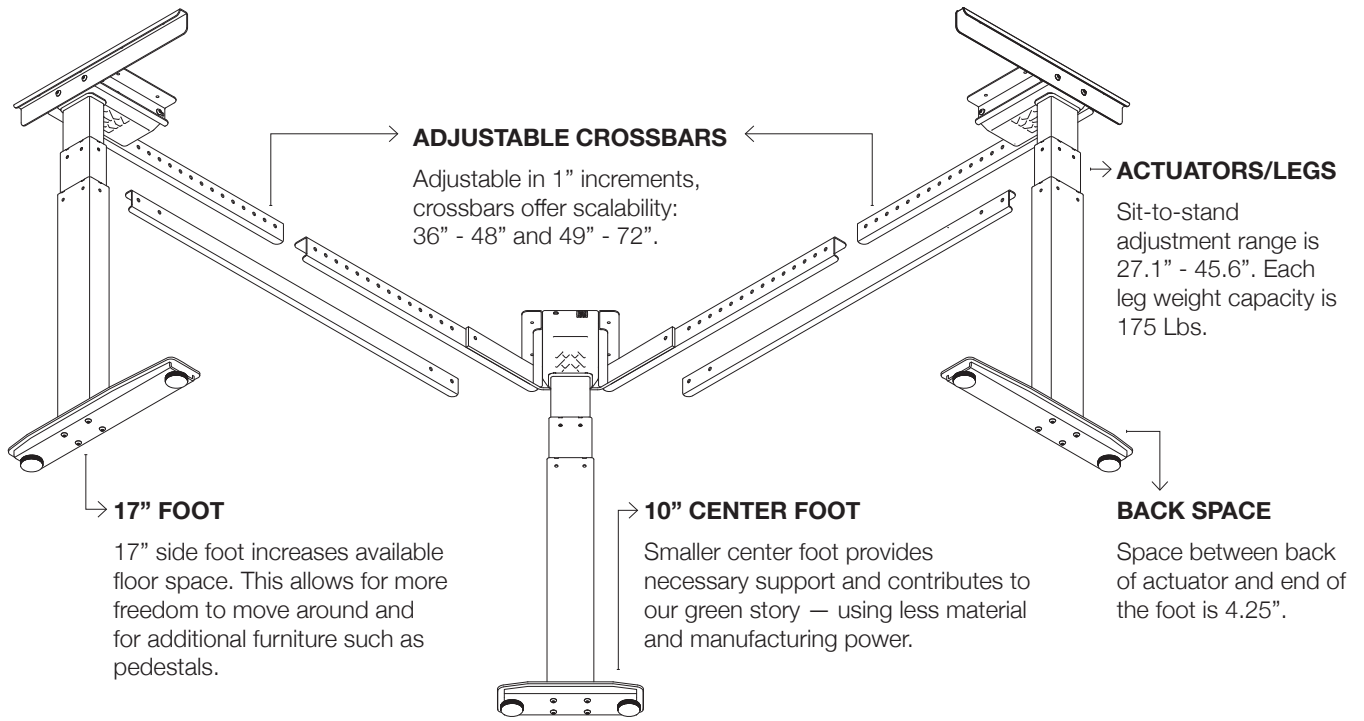
SEV3

The SEV3 offers a smaller height range in comparison to the SXV3 but offers the same weight capacity and visual configurations. Offering unlimited potential in office planning, our SEV3 offers comfort, flexibility, and an ergonomic solution for your work environment. The SEV3 can be paired with SiS accessories such as wire management, casters, and monitor mounts. A wide variety of top selections such as powder-coat and laminate are available — for a truly complete solution.

Height Range: 27.1" - 45.6"*
Speed: 1.5" Per Second
Frame Only Weight Capacity: 525 Lbs
Max Power Draw: 120 V, 60 Hz, 5 A
Standby Power: 0.1W
Worksurface Angle: 120°
Adjustability: Electric Control
Special Features: Soft Stop
Motor & Parts Warranty: 5 years
Craftsmanship Warranty: Lifetime

**Including 1 1/8" worksurface.*





SWITCH OPTIONS



UD Up Down



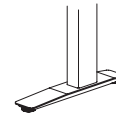
DS Digital Switch



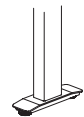
PH Personal Health Assistant Tracker

*Standard Up/Down switch included.
Additional charge for Digital and Health Tracker.*

FOOT SIZES



17" S



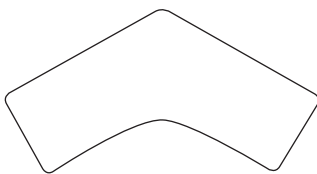
10" C

Additional foot lengths available.

CROSSBARS & SURFACES



120°



A Crossbar = 36" - 48" **B** Crossbar = 49" - 72" **F** Crossbar = Additional Sizes

Please speak with your Sales Rep for additional worksurface dimensions and specifications.

OPTIONAL FEATURES

- Standard Collision Software
- Factory Programmable
- Lockout
- Lithium Battery Operation
- QuantSpaces Compatible*
- Available as Frame Only

**tableair.com*

FRAME FINISHES



Custom finishes require testing & longer lead times.



S
Silver



B
Black



W
White

