



SX2

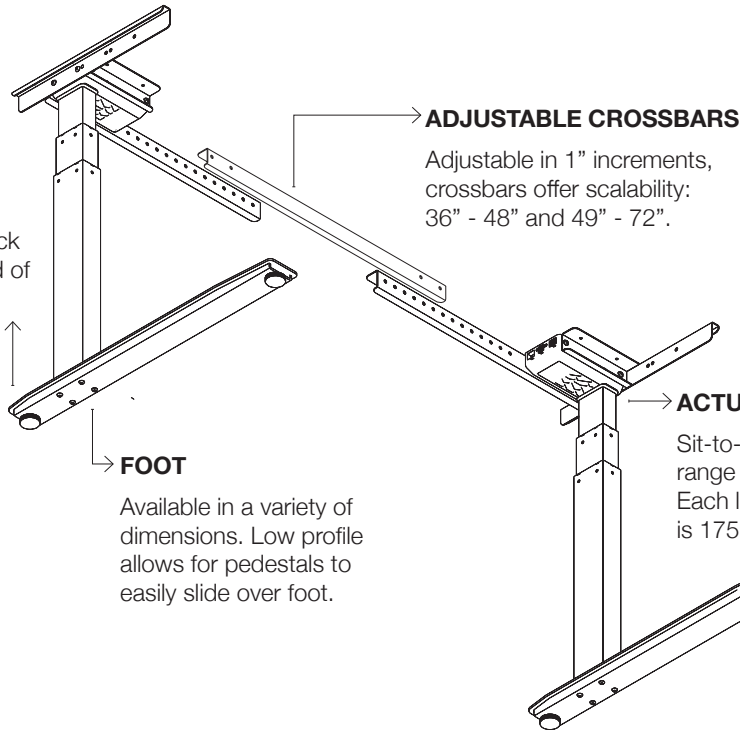
The SX2 shines on the Danish design principles of functionality and simplicity. Offering a multitude of color combinations, finishes and surface sizes, the SX2 is a customizable and unique solution. This electric sit-to-stand table comes in a 2-leg configuration and can be paired with SiS accessories such as wire management, casters, and monitor mounts. A wide variety of top selections such as powder-coat and laminate are available — for a truly complete solution.

Height Range: 22.1" - 48.6"
Speed: 1.5" Per Second
Weight Capacity: 350 Lbs
Max Power Draw: 120 V, 60 Hz, 5 A
Standby Power: 0.1W
Worksurface Angle: Rectilinear or 90°
Adjustability: Enhanced Electric Control
Special Features: Soft Stop
Motor & Parts Warranty: 5 years
Craftsmanship Warranty: Lifetime
Qualifications: The SX2 Meets ANSI/BIFMA Standards



BACK SPACE

Space between back of actuator and end of the foot is 4.25".



ADJUSTABLE CROSSBARS

Adjustable in 1" increments, crossbars offer scalability: 36" - 48" and 49" - 72".

FOOT

Available in a variety of dimensions. Low profile allows for pedestals to easily slide over foot.

ACTUATORS/LEGS

Sit-to-stand adjustment range is 22.1" - 48.6". Each leg weight capacity is 175 Lbs.

SWITCH OPTIONS



UD Up Down



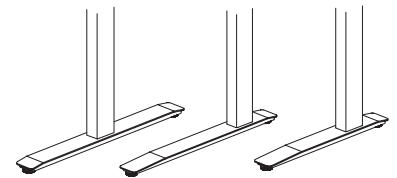
DS Digital Switch



PH Personal Health Assistant Tracker

*Standard Up/Down switch included.
Additional charge for Digital and Health Tracker.*

FOOT SIZES



28" T

28" L

22" M

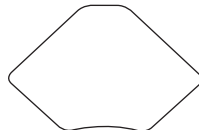
CROSSBARS & SURFACES



RECTILINEAR



90°



A Crossbar = 36" - 48" **B** Crossbar = 49" - 72" **F** Crossbar = Additional Sizes

Please speak with your Sales Rep for additional worksurface dimensions and specifications.

OPTIONAL FEATURES

- Bluetooth Upgrade Eligibility
- Advanced Anti-Collision
- Standard Collision Avoidance Software
- Height Range Lockout
- Battery Operation Converter
- Software Programmability
- Available as Frame Only

FRAME FINISHES



S

Silver

B

Black

W

White

Custom finishes require testing & longer lead times.

