



SX3

The SX3 offers a 3-leg electric configuration and a larger worksurface than its 2-leg counterpart. Offering unlimited potential in office planning, our SX3 offers comfort, flexibility, and an ergonomic solution for your work environment. The SX3 can be paired with SiS accessories such as wire management, casters, and monitor mounts. A wide variety of top selections such as powder-coat and laminate are available — for a truly complete solution.

Height Range: 22.2" - 48.7"*

Speed: 1.5" Per Second

Frame Only Weight Capacity: 525 Lbs

Max Power Draw: 120 V, 60 Hz, 5 A

Standby Power: 0.1W

Worksurface Angle: 90°

Adjustability: Enhanced Electric Control

Special Features: Soft Stop

Motor & Parts Warranty: 5 years

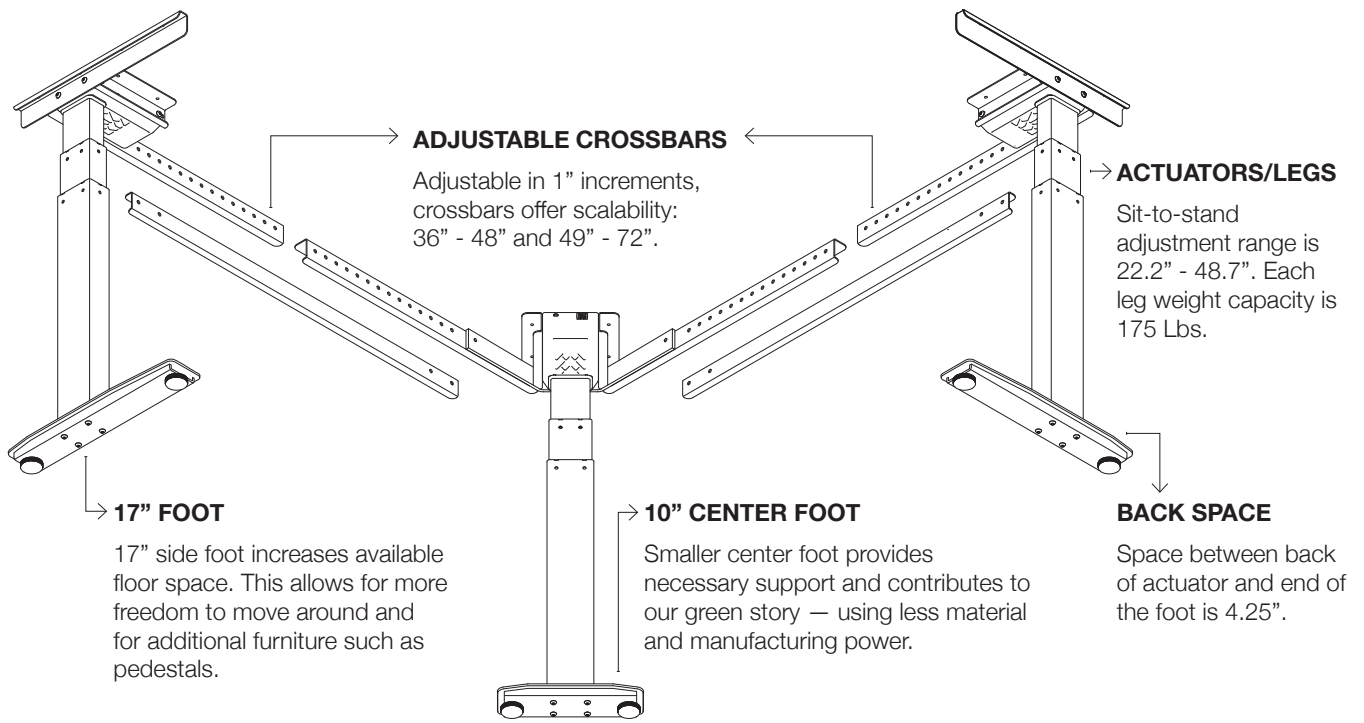
Craftsmanship Warranty: Lifetime

Qualifications: The SX3 Meets

ANSI/BIFMA Standards

**Including 1 1/8" worksurface.*





SWITCH OPTIONS



UD Up Down



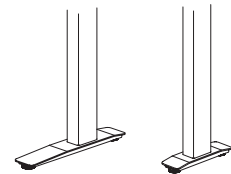
DS Digital Switch



PH Personal Health Assistant Tracker

*Standard Up/Down switch included.
Additional charge for Digital and Health Tracker.*

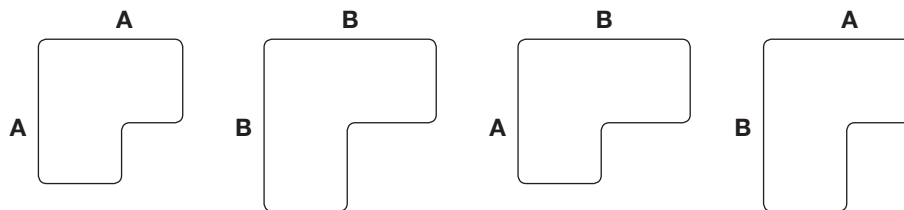
FOOT SIZES



17" S **10" C**

Additional foot lengths available.

CROSSBARS & SURFACES



A Crossbar = 36" - 48" **B** Crossbar = 49" - 72" **F** Crossbar = Additional Sizes

Please speak with your Sales Rep for additional worksurface dimensions and specifications.

OPTIONAL FEATURES

- Premium Collision Sensor
- Factory Programmable Lockout
- Lithium Battery Operation
- QuantSpaces Compatible*
- Available as Frame Only

**tableair.com*

FRAME FINISHES



S Silver **B** Black **W** White

Custom finishes require testing & longer lead times.

