



SXV2

The SXV2 shines on the Danish design principles of functionality and simplicity. Offering a multitude of color combinations, finishes and surface sizes with a 120° angle, the SXV2 is a customizable and unique solution. This electric sit-to-stand table comes in a 2-leg configuration and can be paired with SiS accessories such as wire management, casters, and monitor mounts. A wide variety of top selections such as powder-coat and laminate are available — for a truly complete solution.

Height Range: 22.2" - 48.7"*

Speed: 1.5" Per Second

Frame Only Weight Capacity: 350 Lbs

Max Power Draw: 120 V, 60 Hz, 5 A

Standby Power: 0.1W

Worksurface Angle: 120°

Adjustability: Enhanced Electric Control

Special Features: Soft Stop

Motor & Parts Warranty: 5 years

Craftsmanship Warranty: Lifetime

Qualifications: The SXV2 Meets

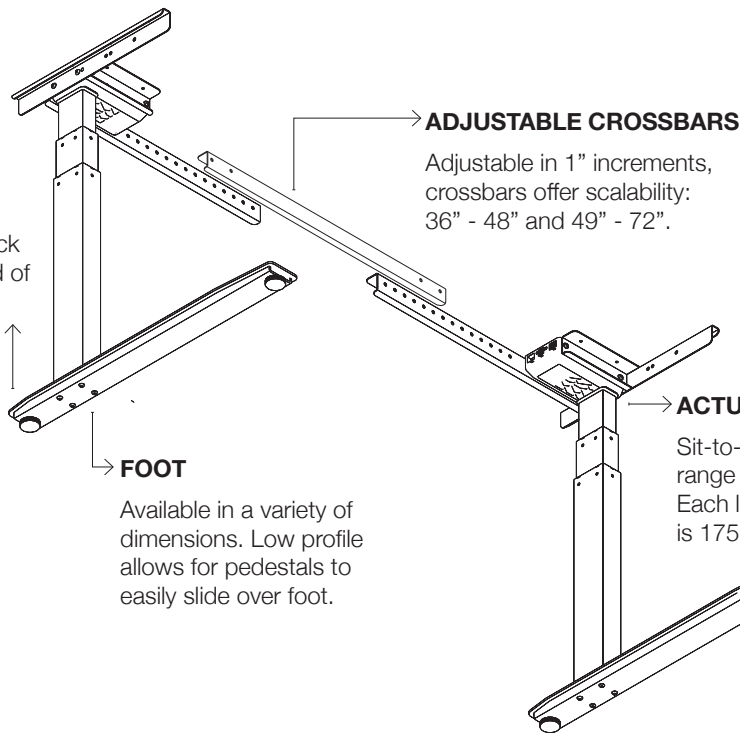
ANSI/BIFMA Standards

**Including 1 1/8" worksurface.*



BACK SPACE

Space between back of actuator and end of the foot is 4.25".



SWITCH OPTIONS



UD Up Down



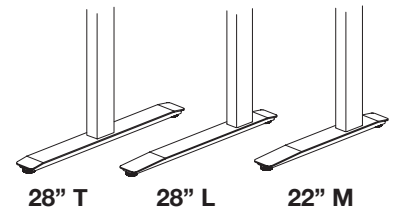
DS Digital Switch



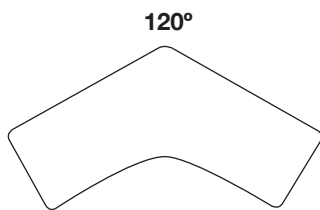
PH Personal Health Assistant Tracker

*Standard Up/Down switch included.
Additional charge for Digital and Health Tracker.*

FOOT SIZES



CROSSBARS & SURFACES



A Crossbar = 36" - 48" **B** Crossbar = 49" - 72" **F** Crossbar = Additional Sizes

Please speak with your Sales Rep for additional worksurface dimensions and specifications.

OPTIONAL FEATURES

- Premium Collision Sensor
- Factory Programmable Lockout
- Lithium Battery Operation
- Table Air Compliant*
- Available as Frame Only

**tableair.com*

FRAME FINISHES



S Silver **B** Black **W** White

Custom finishes require testing & longer lead times.

